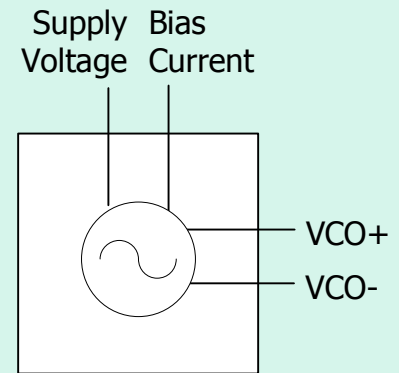


Product Summary

The SN040 is a LC tank based VCO with very low current consumption and fully differential outputs. Suitable for operation in a PLL for transmit/receive operation. Current consumption is driven by an external current bias source and this permits to vary the current consumption of the VCO from 250uA to 1300uA. Designed on a 0.18um CMOS process and measures 0.75mm x 0.525 mm.



Performance Summary

	Min	Typical	Max	NOTES
VCO Centre Frequency (MHz)		1062		@ 1.8V supply
VCO Tune Bandwidth (MHz)		150		
Range of Vtune (V)	0		1.8	
KV (MHz/V)		83		
Supply Voltage	1.2		1.8	
Phase Noise @1MHz offset (dBc/Hz)		<-105		
Operating Temperature Range(C)	-40	25	85	
Current Consumption (uA)		625		@ 1.8V supply

Deliverables

- GDSII Layout
- Footprint (LEF)
- Spice Netlist/ Schematics
- Detailed Technical Data
- Silicon Samples