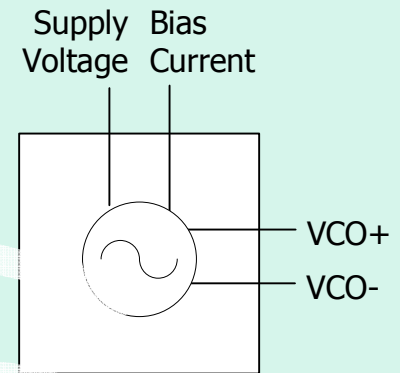


Product Summary

The SN044 is a LC tank based VCO with very low current consumption and fully differential outputs. Suitable for operation in a PLL for transmit/receive operation. Current consumption is driven by an external current bias source and this permits to vary the current consumption of the VCO from 900uA to 1300uA. Designed on a 0.18um CMOS process.



Performance Summary

	Min	Typical	Max	NOTES
VCO Centre Frequency (MHz)	2390	2450	2502	@ 1.8V supply
VCO Tune Bandwidth (MHz)		112		
Range of Vtune (V)	0		1.8	
KV (MHz/V)		62		
Supply Voltage	1.2		1.8	
Phase Noise @1MHz offset (dBc/Hz)		TBU		
Operating Temperature Range(C)	-40	25	85	
Current Consumption (uA)		1100		@ 1.8V supply

Deliverables

- GDSII Layout
- Footprint (LEF)
- Spice Netlist/ Schematics
- Detailed Technical Data