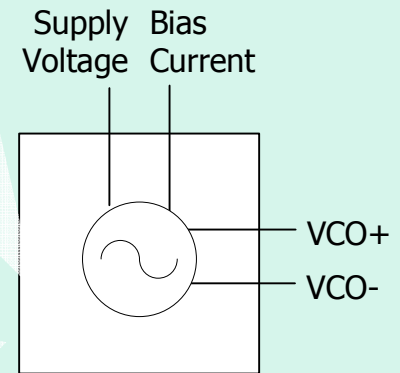


### Product Summary

The SN045 is a LC tank based VCO with very low current consumption and fully differential outputs. Suitable for operation in a PLL for transmit/receive operation. Current consumption is driven by an external current bias source and this permits to vary the current consumption of the VCO from 800uA to 1200uA. Designed on a 0.18um CMOS process.



### Performance Summary

	Min	Typical	Max	NOTES
VCO Centre Frequency (MHz)	1760	1800	1820	@ 1.8V supply
VCO Tune Bandwidth (MHz)		100		
Range of $V_{tune}$ (V)	0		1.8	
KV (MHz/V)		55		
Supply Voltage	1.2		1.8	
Phase Noise @1MHz offset (dBc/Hz)		TBU		
Operating Temperature Range(C)	-40	25	85	
Current Consumption (uA)		1000		@ 1.8V supply

### Deliverables

- GDSII Layout
- Footprint (LEF)
- Spice Netlist/ Schematics
- Detailed Technical Data